



Flat roof for the loading-optimized elevation (adhesive system)

FLAMONT

Adhesive mounting without roof penetration



- no weight
- easy to install
- low price
- flexible
- no roof penetration

Liquid plastic (Widocryl-Point)

- patented system for non-penetrating
- individual inclination (15°, 20°, 25°)
- modular system for individual project
- no ballast, complete only 14 kg/m²

- stable system with project-based structural analysis report
- suitable for almost all of the slides and bitumen roofs
- no point load
- temperature and UV-resistant
- especially suitable for industrial halls with lightweight construction flat roofs
- easy mounting (pre-assembled mounting system)
- obstacles modular changeable
- used throughout Europe
- quality management according to DIN ISO 9001:2008

Competence

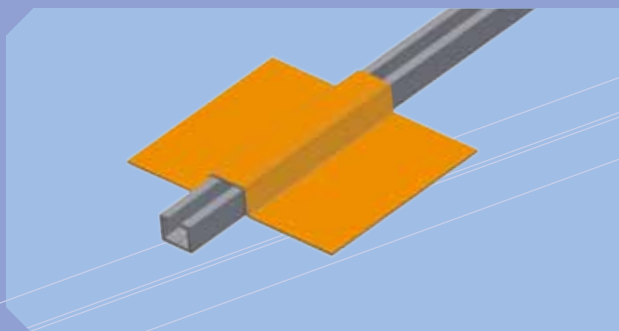
- own personal with the best education

Producer qualification

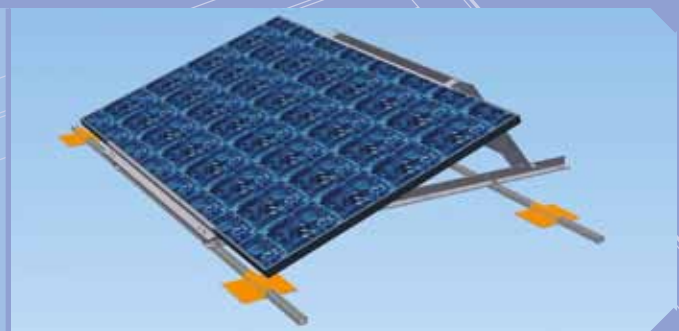
- welding of structural steel components in accordance with DIN 18800-7 and welding of structural aluminum components according to DIN 4113-3

Full-Service

- planing, project engineering, production
- detailed checklist
- project-based offer
- consulting and training
- mounting instructions
- technical approval
- module and profile rail plan



Fixing the C-rail



Adhesive fastening with elevation angle