



Trapezoidal roof mounting system

ALSD for trapezoidal mounting

Static safety on trapezoidal roofs



elevated modules



roof-parallel assembly



elevation angle

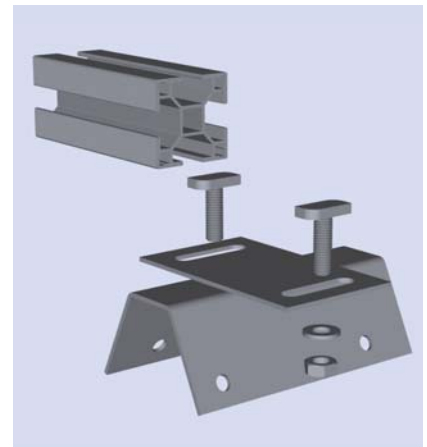
ALTEC Solartechnik AG has developed a special mounting system for the mounting of photovoltaic systems on **trapezoidal roofs**. Two mounting types are available: the **trapezoidal metal shoe** or our new flexible **trapezoidal roof fixing**.

With the **trapezoidal metal shoe** the trapezoidal metal profile is surrounded by the shoe which is fastened using four self-drilling screws. We have standard size shoes and we also custom make the shoes to fit the customer's requirements. The shoes are made from high-grade steel material and provide the highest security, longevity and stability. In addition, the best possible transference of force to the roof is guaranteed by the relatively large surface area of the shoe.

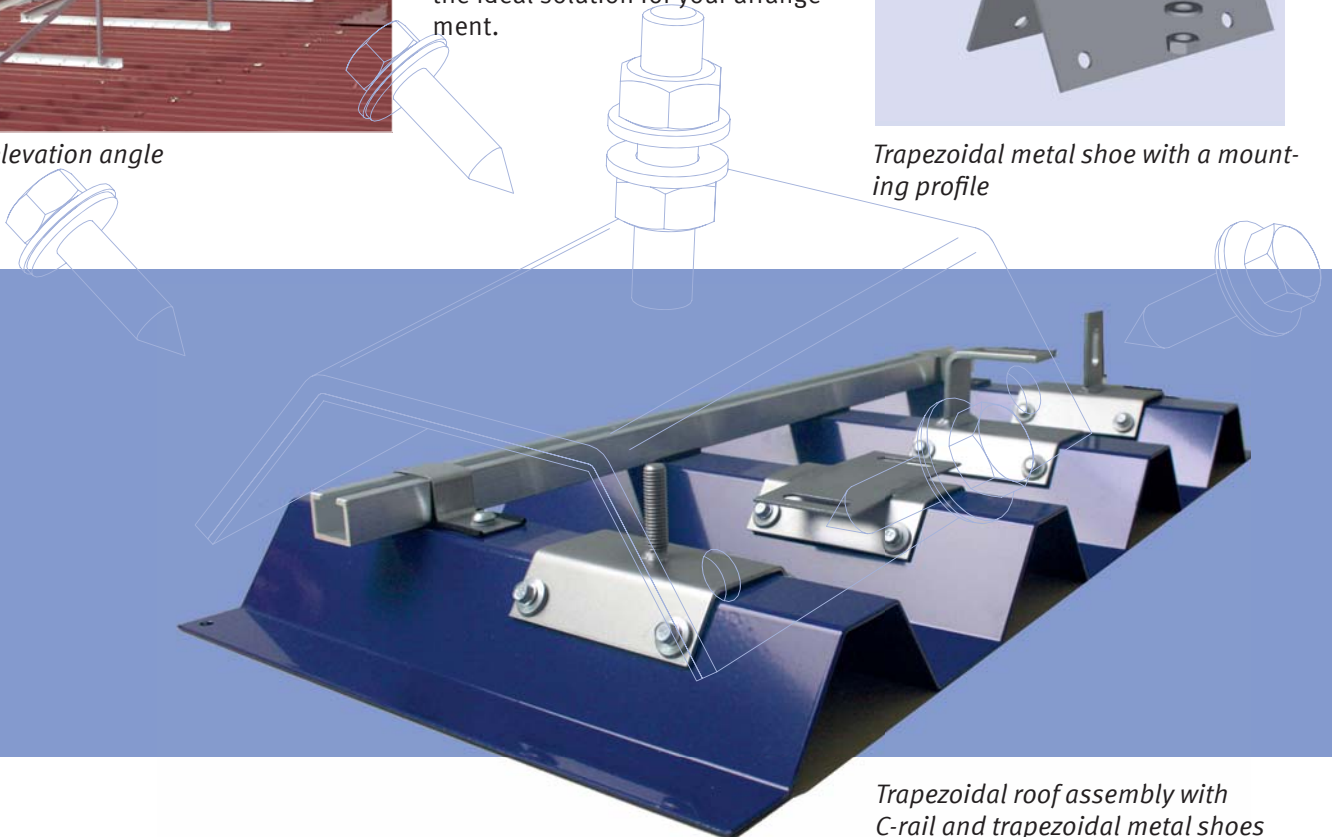
When using the trapezoidal metal shoe there is a choice of attachment such as threaded bolt, bar, plate or angle. We will calculate the ideal solution for your arrangement.

The advantage of the **flexible trapezoidal roof mounting** is that it can be fitted to trapezoidal roofs of different profile dimensions. This allows this mounting system to be used universally on all trapezoidal roofs.

If the roof has a sufficient pitch, then the **direct mounting** of the rails on the trapezoidal mounting is possible. On flatter roofs the use of an elevation angle will bring the modules to the ideal position and provide the most efficient arrangement of the PV modules.



Trapezoidal metal shoe with a mounting profile



Trapezoidal roof assembly with C-rail and trapezoidal metal shoes with different attachments

For our elevations, we use angle aluminum profiles that are suitable for use in all wind and snow load zones. Their rigid construction ensures very high stability.

For each order of elevations we will consider the connection elements that are needed, the substructure, the angle of elevation and other parameters like static load, wind and snow loads, as well as the respective trapezoidal metal type.

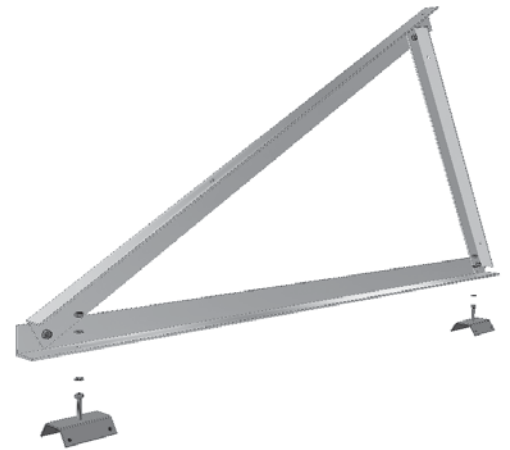
To ensure the weather tightness of the roof we install EPDM tape between the roof and the shoe or flexible mounting.

Our mounting systems for PV also include solar fastenings that are anchored in the substructure. They transfer the forces to the substructure and, therefore, the weight of the assembly is not transmitted to the thin roof panels.

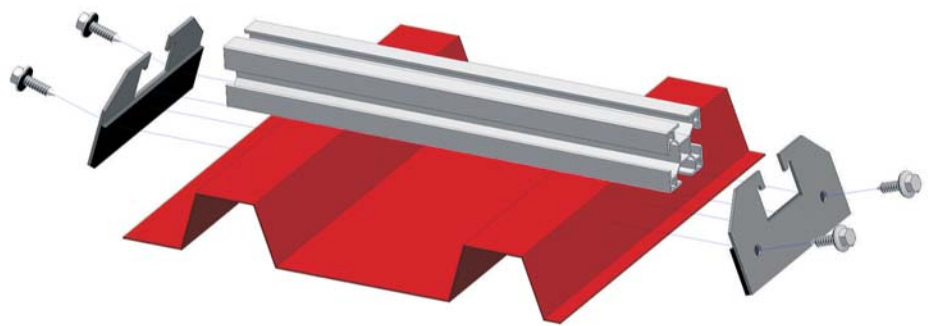
Request your enquiry by completing our “Checklist for the Assembly on Trapezoidal Roofs”. It helps capture all of the important data from which we will create your individual offer.

We are happy to calculate for you the price of a custom trapezoidal shoe or send you a price list of all the standard options offered in our range.

Talk to us!



Elevation angle for application to the trapezoidal metal shoe



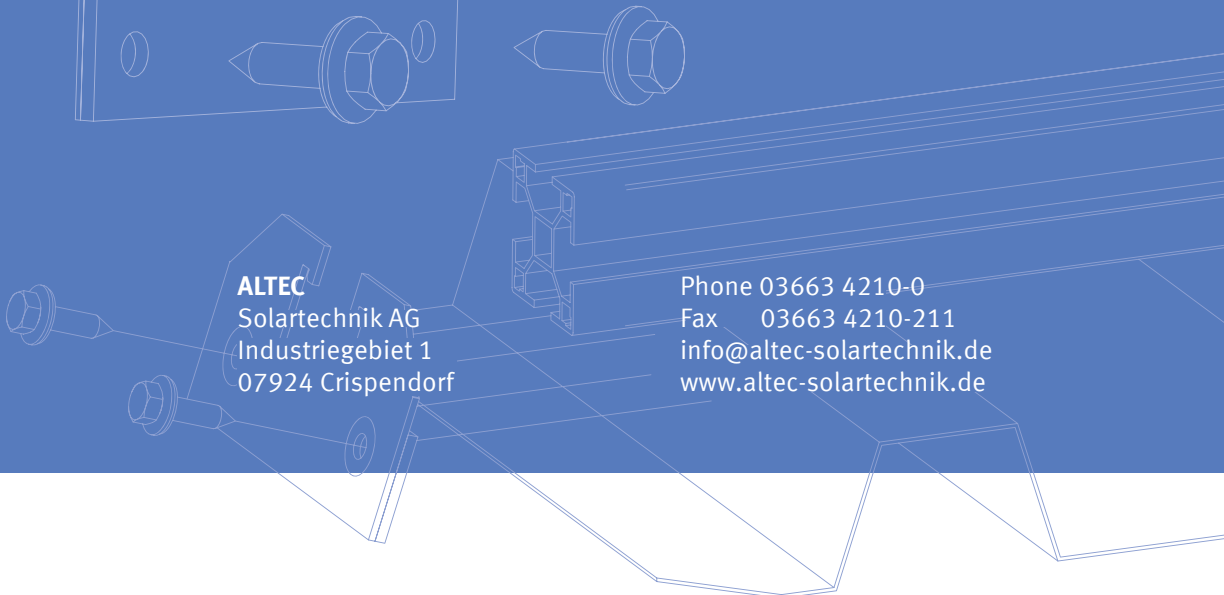
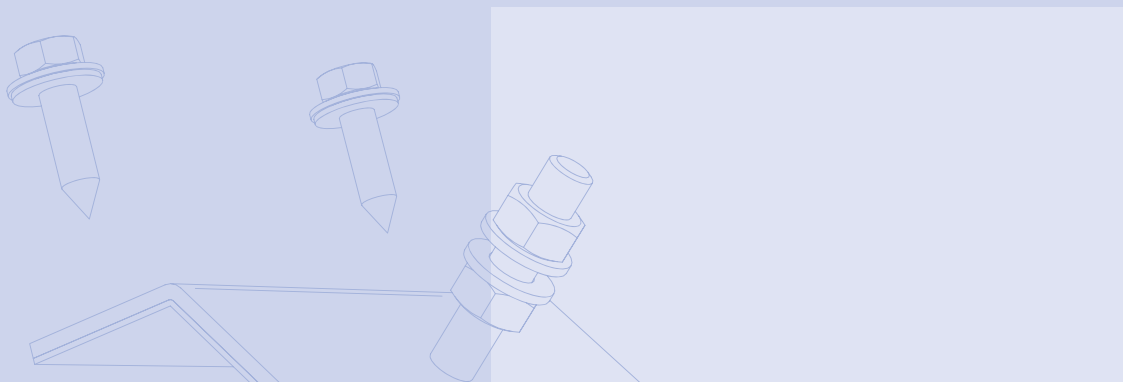
Functioning of the trapezoidal roof fixing



Solar Fastenings



flexible trapezoidal roof fixing



ALTEC
Solartechnik AG
Industriegebiet 1
07924 Crispendorf

Phone 03663 4210-0
Fax 03663 4210-211
info@altec-solartechnik.de
www.altec-solartechnik.de